



Boltpower QDSP Industrial 3rd Generation Debut

Redefinition Of The Jump Starter & Power Bank



USB Charge



Video Recorder



Camera



Game Console



Vehicle



Motorcycle

Generation 3rd

QDSP Tech-Powered in Boltpower Industrial 3rd Generation Jump Starter & Power Bank

The idea of **QDSP** originally burst out from 'Quick Discharge Start Power', it is a unique jump starting technology invented by Boltpower, based on the second generation lithium jump starters. The new third generation has a 3-5 times enhanced jump starting current compared to the 2nd generation with the same capacity. Especially in low temperature circumstances, the performance is greatly improved. Besides, USB QC 3.0 Quick Charge and USB Type-C two-way In-Out are applied in the 3rd generation jump starter & power bank.

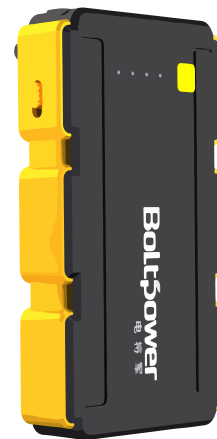


First Generation Lead Acid Jump Starter



Second Generation Lithium Jump Starter

Third Generation QDSP
Jump Starter G19



Weight&Volume	Heavy in weight; Big in volume	Light in weight; Small in volume	Light in weight; Small in volume
Life Cycles	Short Life, 350 cycles	Long life, 1000 cycles above	Long life, 1000 cycles above
Jump Current	150-300A	200-350A	400-800A
Standby Time	3months	5-10months	8-12months
USB Output	1-2A	1-2A	5V/9V/12V, 5V/2.1A
Other Features	Inconvenience; Harm to environment	Portable; Eco-friendly	Portable; Eco-friendly

Rugged Design, Bumblebee in Transformers

New Fashion in Classic, Consumer Taste





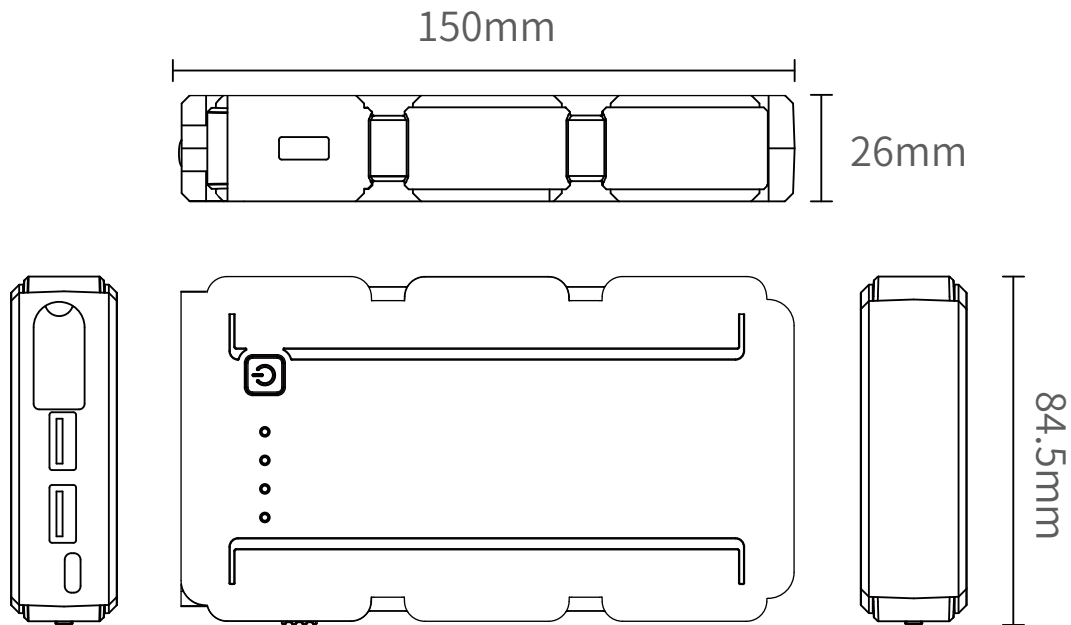
800A Peak Current

Up to 6.5L Gasoline & 4.0L Diesel 12V Engines

Performance Indication Diagram

- Power Butt
- Energy Indicator
- EC5 Vehicle Starting
- USB 5V 2.1A
- 5V/3A,9V/2A,
12V1.5A/Interface
- USB Type-C Charge
- Switch





Model : G19

Capacity : 26.64Wh

Start Voltage : 12V

Start Current : 400A

Peak Current : 800A

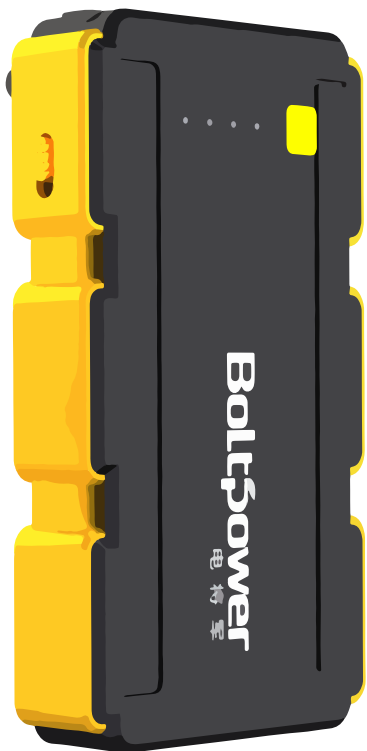
In(Out) : 5V/3A

Output 1 : 5V/9V/12V

Output 2 : 5V/2.1A

Lifespan : 1000次

G19 Jump Starter & Power Bank



Color Box Package



Carry Case (Optional)



Quick-Start User Manual



F15 Smart Clamp Cable (10#)



A/C Charging Adapter (Optional)



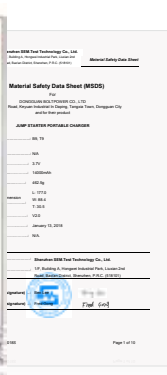
USB-Micro & Type-C Charging Cable Set (Standard)



USB-Micro & Type-C & Lightning Charging Cable Set (Optional)

Certification Authority

CE FC RoHS ISO9001



Boltpower[®]

电 将 军 集 团

BOLTPOWER GROUP

全球应急储能电源制造基地

Global Leading Energy Storage Manufacturing Base

www.boltpowergroup.com